



◆ 4 ports 10/100 Base-TX+1 port 100M fiber+2 ports RS232

➤ Features

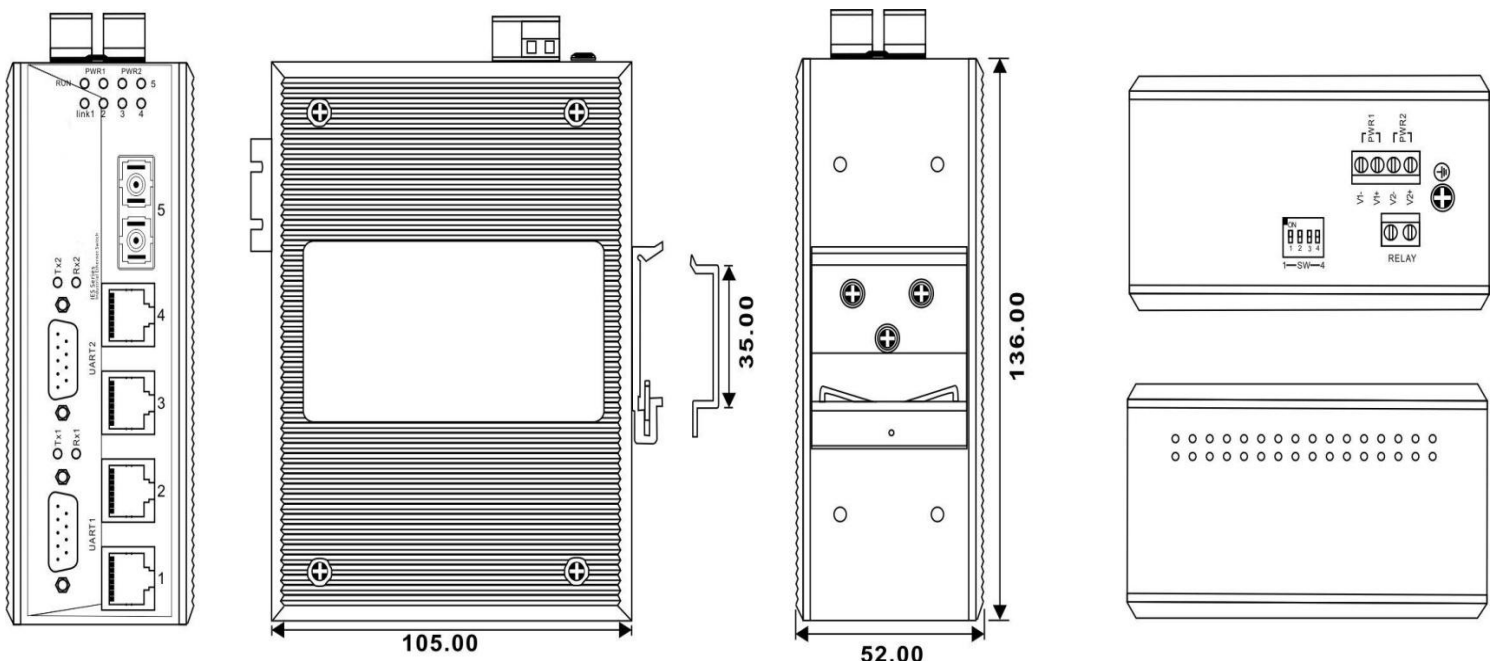
- Support 4 ports 10/100Mbps Ethernet and 1 port 100M fiber port and 2 ports RS232
- MW-Ring (recovery time < 20 ms at full load)
- Support 2 port RS232 to Ethernet
- Support AT command
- Support alarm output
- Support WEB setting, east to management
- Accord with Industrial 4 grades.
- IP30 protect grade, high strength iron shell, DIN Rail installation.



➤ Introduction

IES305-1F-102 Industrial Ethernet switches integrated serial device server function, it adopt MW-Ring redundant technology(Recovery time<20ms), users can set the redundant easily to increase network reliability, furthermore, IES305-1F-102 can support 2 ports RS232, AT command and alarm output, It adopted no fan, low power consumption design, IP30, corrugate high strength iron shell, the performance is more steadily. It accorded with CE, FCC standard and Industrial 4 grades, DIN rail installation and wide operating temperature (-40~75C), it can satisfied some kinds of industrial environment, it can provide reliable and quickly solution for your Ethernet device.

➤ Dimension

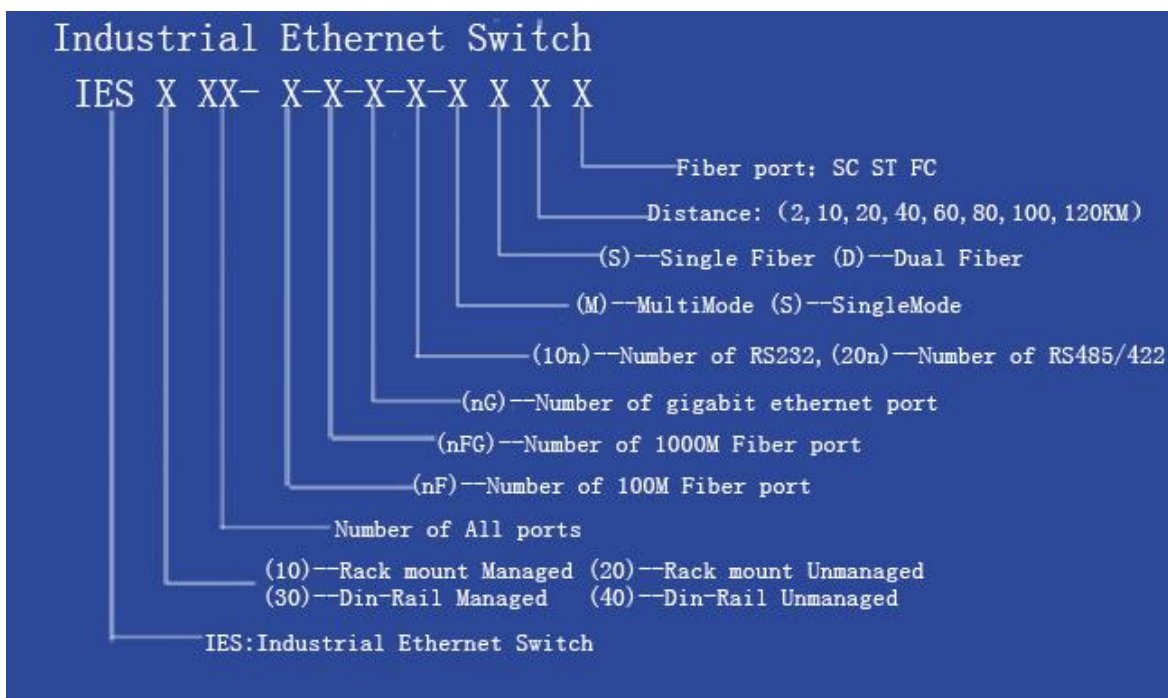


➤ Specification

Technology	
Standard	IEEE802.3, IEEE802.3u, IEEE802.3x
Flow control	IEEE802.3x, back pressure control
Interface	
Fiber port	100Base-FX, SC/ST optional
Single-mode	20, 40, 60, 80, 120Km
Multi-mode	2Km
Wavelength	1310 nm, 1550nm
Ethernet port	10/100Base-TX, RJ45, full/half duplex and MDI/MDI-X self-adaption
Alarm terminal block	2 bits 7.62mm terminal block, 1 relay alarm output,
Electric load capacity	1A@30VDC
RS232	DB9 male
Exchange of attribute	
Transmission	store and forward
Bandwidth	12G
Memory	1Mbits
MAC address	2K
Indicator	
Working	Run
Interface	Link1~5
Power supply	PWR1, PWR2
RS232 data	TX, RX
Power supply	
Power input	24VDC (12~48VDC)
Terminal block	4 bits 7.62mm terminal block
No-load power consumption	1.5W@24VDC
Full-load power consumption	2W@24VDC
Support redundant protection	
Support over-current protection	
Support reverse connection protection	
Environmental	
Operating Temperature	-40 to 75 ℃
Storage Temperature	-45 ℃ to 85 ℃
Ambient Relative Humidity	10 to 95% (non-condensing)
Mechanical	
Shell	IP30, high strength iron shell.
Installation	DIN Rail
Weight	900g
Dimension (W×H×D)	136mm×52mm×105mm
Standard	
EMI	FCC Part 15, CISPR (EN55022) class A
EMS	EN61000-4-2 (ESD), Level 4 EN61000-4-3 (RS), Level 3 EN61000-4-4 (EFT), Level 4

	EN61000-4-5 (Surge), Level 4 EN61000-4-6 (CS), Level 3 EN61000-4-8, Level 5
Shock	IEC 60068-2-27
Free fall	IEC 60068-2-32
Vibration	IEC 60068-2-6
Warranty time	5 years
Certification	CE, FCC, RoHS, PAL, UL508(pending)

➤ Ordering Information



Model NO.	Description
IES305-1F-102(M)	4 ports 10/100Baes-T(X)+1 port 100Base-FX+ 2 port RS232, Multi-mode, 2Km, SC/ST, DC12-48V
IES305-1F-102(S)	4 ports 10/100Baes-T(X)+1 port 100Base-FX+ 2 port RS232, Single-mode, 20Km, SC/ST, DC12-48V
IES305-1F-102(SS)	4 ports 10/100Baes-T(X)+1 port 100Base-FX+ 2 port RS232, Single-mode, single fiber, 20Km, SC/ST, C12-48V

➤ Packing List

- IES305-1F-102 Industrial Ethernet Switch×1
- User manual ×1

