



Industrial Ethernet Switches

IES405-1F

◆ 4 port 10/100M TX+ 1 port 100M FX Unmanaged (12~36VDC)

➤ Features

- IEEE802.3/ 802.3u/ 802.3x
- Support auto negotiation speed, F/H duplex mode, and auto send data control
- Plug-and-play, auto MDI/MDI-X connection
- Store and Forward 100M
- Switching process type
- Broadcast storm protection
- Network work state LED indicator
- 12~36VDC power input Operating temperature ranges from -40 to 75 °C
- Industry standard design, dustproof and close design
- IP30, rugged high-strength metal case



➤ Introduction

The IES405-1F series of industrial Ethernet switches are entry-level industrial 5-port Ethernet switches that provide an economical solution for your industrial Ethernet connection, support IEEE802.3/802.3u/802.3x. Dustproof and full close structure and the IP30 case with LED indicators make the plug-and-play IES405-1F switches easy to use and reliable. These switches have been designed for harsh industrial environments

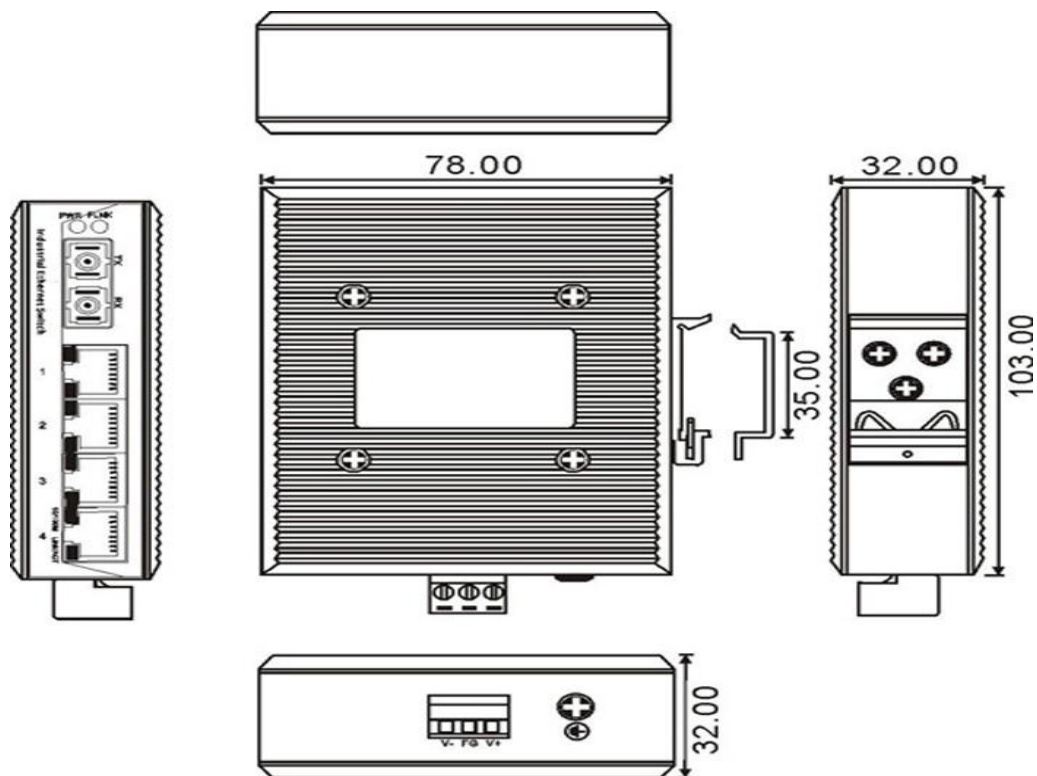
IES405-1F supports 4 TP ports and 1 fiber ports. TP(RJ45) support 10/100Base-T(X), Full/Half duplex mode, and auto MDI/MDI-X connection;100BaseFX supports single-/multi-mode, SC/ST/FC connector for optional.

➤ Specification

Interface	
RJ45 Ports	10/100BaseT(X) auto connection, Full /Half duplex or force work mode, and support MDI/MDI-X connection
Fiber Ports	100BaseFX ports (SC/ST/FC connector, optional),Single-mode:20, 40,60, 80, 120Km,optional,Multi-mode: 2,5Km,optional
Wavelength	850nm, 1310 nm, 1550nm
Technology	
Standard	IEEE802.3, IEEE802.3x, IEEE802.3u
Forwarding and Filtrate Rate	148810pps
Transmit type	Store and Forward switching process type,Support 1K MAC Address
Power	
Input Voltage	12VDC~36VDC,Overload Current Protection
Connection	3 bit terminal block
Mechanical	
Dimensions (L×W×H)	103mm×78mm×32mm
Packaging	IP 30 Protection, Metal case

Environmental	
Operating Temperature	-40 to 75 °C
Storage Temperature	-45 to 85 °C
Ambient Relative Humidity	10% to 95% (non-condensing)
Approvals	
EMI	FCC Part 15, CISPR (EN55022) class A
EMS	EN61000-4-2(ESD), EN61000-4-3(RS), EN61000-4-4(EFT), EN61000-4-5 (Surge), EN61000-4-6 (CS), EN61000-4-8, EN61000-4-11
Shock	IEC 60068-2-27
Free Fall	IEC 60068-2-32
Vibration	IEC 60068-2-6
Warranty	5 years
Approvals	FCC,CE, RoHS approvals

➤ Dimension



➤ Ordering Information

Model NO.	Description
IES405-1F (M)	4-port 10/100Baes-T(X) + 1-port 100Base-FX, Multi-mode, SC/ST/FC optional, DC12-36V
IES405-1F (S)	4-port 10/100Baes-T(X) + 1-port 100Base-FX, Single-mode, SC/ST/FC optional, DC12-36V
IES405-1F (SS)	4 port 10/100Baes-T(X)+ 1 port 100Base-FX, Single-mode, single fiber, SC/ST , DC12-36V

➤ Packing List

- Ethernet switch IES405-1F (plus terminal block) ×1
- User manual ×1
- DIN-Rail fittings ×1