

10/100M PD PoE Splitter Cable

➤ Features

- Support IEEE802.3af/at standard, Both mid-span (4/5+, 7/8-) and end-span (1/2+, 3/6-);
- Output voltage:12V(Default), 5~24VDC can be customized, with low ripple;
- Input voltage 44-57VDC, rated output power 12W, efficiency greater than 82%;
- Support short circuit, overcurrent and over-temperature protection;
- DC interface with dustproof and waterproof measures;
- Support Lightning protection: 4KV 8/20us; Protection level: IP40;
- Support -20~55°C wide operating temperature range;
- Warrant: 1year;



➤ Introduction

The PS101 series is a 10/100M PD PoE splitter cable with 1*10/100Base-TX RJ45 port and 1*8P male output port and 1*DC power port(5.5*2.1mm). The invention meets the requirements that various non-PoE network terminals can be externally connected with PoE switches for use, flexibly expands security monitoring and wireless networks without being limited by power line layout, reduces system wiring, improves system stability and safety, and reduces maintenance cost.

The PS101 housing is made of ABS and PC flame retardant plastic material, Meeting the standard of IEEE802.3af/at. Compatible with power supply methods of both End-span (1,2+ 3,6-) and Mid-span (4,5+ 7,8-). With the features of output power at 15W, low ripple, more than 82% high efficiency, Port Isolation Protection: 2KV and Protection for short circuit, over-current & over-temperature. Plug and play, no configuration required, simple and convenient to use.

Application

- HD monitor transmission and power supply
- Security protection system, TV medical treatment
- Network telephone transmission, Intelligent house and home system
- Intelligent transportation supervisory system (ITS)
- High-speed Way supervisory/Tele-Communication System
- Long-distance Multi-media Schooling, Campus monitoring
- Long-distance broadcast television transmission system
- High-building Security Protection, Military Tele-Com project
- Smart City

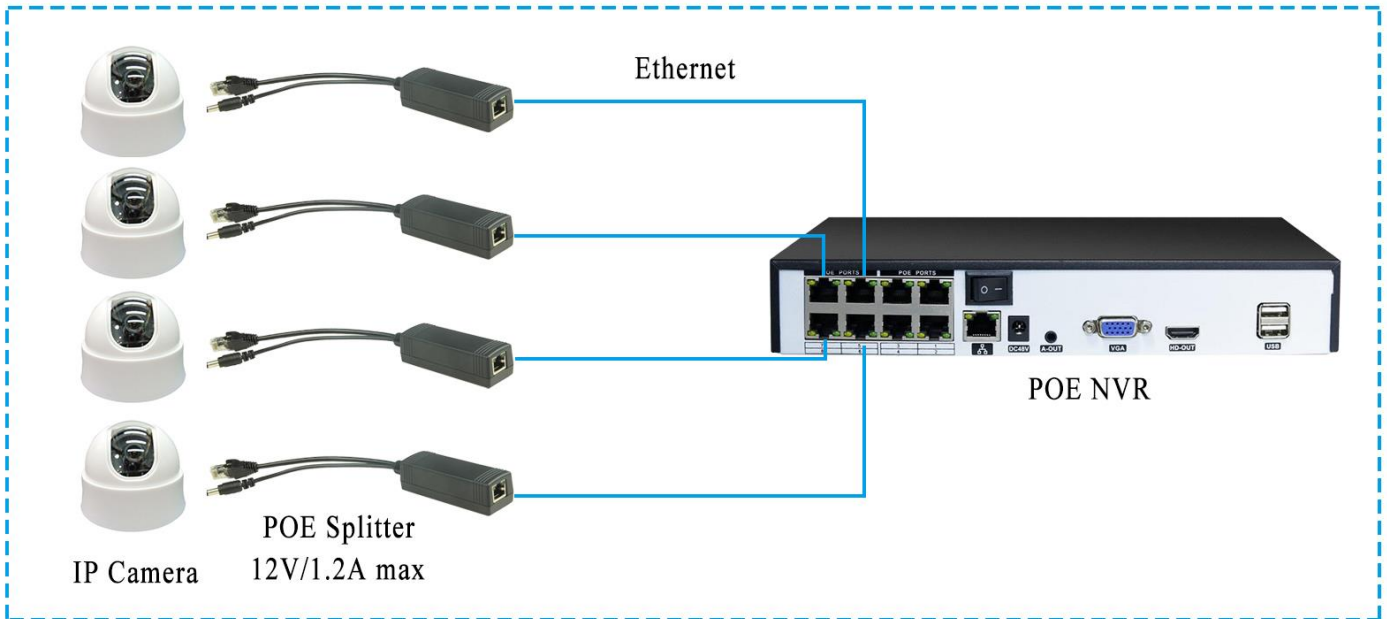
➤ Specification

Interface Characteristics	
Fixed Port	1*10/100Base-TX RJ45 port (Data)
	1*8P male output port (Data)
	1*(5.5*2.1mm) DC power port (Power)
Ethernet Port	Ethernet port can support 10/100Base-TX auto-sensing, full/half duplex MDI/MDI-X self-adaption
Network Characteristics	
Transmission Bandwidth (Rate)	10/100Mbps
Twisted Pair	10BASE-T: Cat3,4,5 UTP(≤100 meter)
Transmission	100BASE-TX: Cat5 or later UTP(≤100 meter)
LED Indicator	Working indicator: POE (yellow)
PoE & Power Characteristics	
PoE Port (PD)	PD port IEEE802.3af/at @ POE
Network Protocol	IEEE802.3 10BASE-T, IEEE802.3i 10Base-T
	IEEE802.3u 100Base-TX, IEEE802.3x
Power Supply Pin	1/2 (+), 3/6 (-), & 4/5 (+), 7/8 (-)
Input Voltage	44-57VDC
Output Voltage	Default 12VDC± 0.5V, optional 5V,9V,24VDC
Power Consumption	Standby<1W, Full Load<15W
Conversion Efficiency (Output: Input)	≥82%
Physical Parameter	
Operation TEMP / Humidity	-20~+55°C;5%~90% RH Non condensing
Storage TEMP / Humidity	-40~+85°C;5%~95% RH Non condensing
Dimension (L*W*H)	85*31*26mm cable length:≤150mm
Net /Gross Weight	<0.1kg /<1.15kg
Lightning protection / protection level	Lightning protection: 4KV 8/20us; Protection level: IP40

Warranty

1 year, lifelong maintenance.

➤ Connection



➤ Ordering Information

Model NO.	Description
PS101	10/100M non-isolated PD PoE splitter cable, compatible with 1236&4578 dual mode power supply. input voltage: 44-57VDC, output voltage: 12VDC, maximum load power is 15W.
PS101P	10/100M isolated PD PoE splitter cable, compatible with 1236&4578 dual mode power supply. input voltage: 44-57VDC, output voltage: 12VDC, 1500V Isolation, power:13W
PS201	Gigabit non-isolated PD PoE splitter, compatible with 1236&4578 dual mode power supply. input voltage: 44-57VDC, output voltage: optional 5V/12VDC, 2000V Isolation, power: 24W

➤ Packing List

- 10/100M PD PoE splitter cable *1
- User Guide *1
- Warranty Card * 1