



Industrial RS-232/RS-485 to 4 ports RS-485 Isolation HUB, 2500V Opto-isolation

➤ Features

- Expands RS-485 networks by splitting one RS-485 network into four loops;
- The failure of any individual loop will not affect the others, making the RS-485 network more reliable;
- Extend communication distance up to 1.2Km;
- Supports up to 512 (4* 128) nodes of RS-485 devices
- Industrial grade rugged ABS housing;
- Plug and play (hot-pluggable);
- Built-in 600W surge protection, 15kV static protection and circuit protection;
- Support 2500V optical isolation;
- Supports high-speed serial data rates: 300 to 115200bps;
- External DC5V or DC9-30V;
- Data direction auto-turnaround, no software drivers or flow control is required;
- Support DIN-Rail or wall mount installation;
- Working temperature range:-40~85°C;
- Warranty:5years



➤ Introduction

The UP-485-H4 is an industrial-grade 1-port RS-232/RS-485 to 4 ports RS-485 Hub/Splitter/Repeater with 2500V optical isolation, which can be used to expand RS-485 networks by splitting one RS-485 network into four, and extend the RS-485/422 distance up to 1.2km, effectively avoid damage caused by lightning strikes, surges and other factors.

UP-485-H4 adopts bus segmentation technology to realize star-type centralized network connection of RS-232/RS-485 devices and enhance bus signal load capacity, supports serial data rates up to 115,200bps, auto-sensing and self-adjusting, no DIP switch or jumpers are required, which widely used in intelligent power management, power system automation, water conservancy monitoring, industrial automation, distributed data acquisition and other occasions.

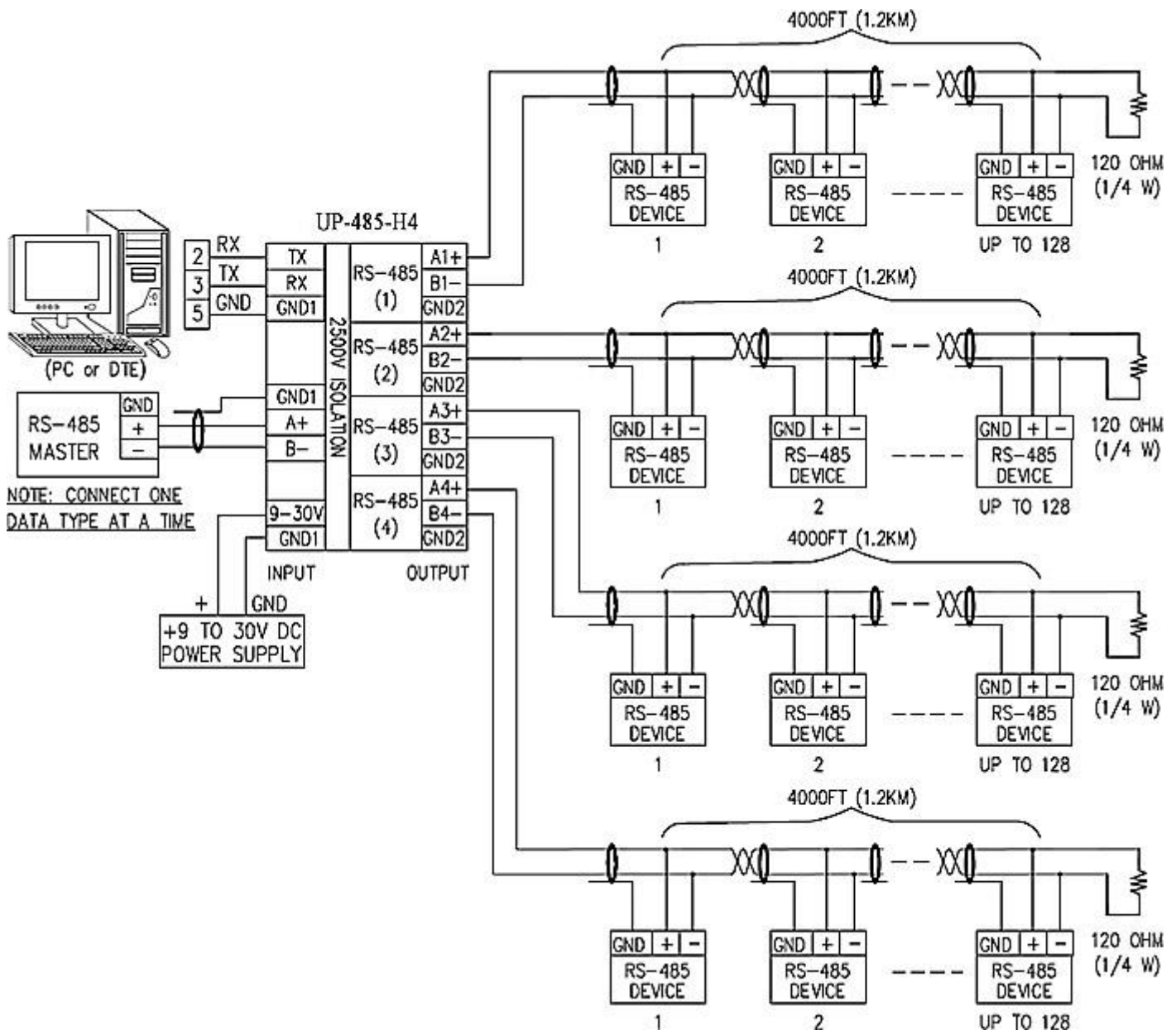
➤ Application Industries

- Industrial Automation
- Intelligent transportation supervisory system (ITS)
- Long-distance broadcast television transmission system
- Rail transportation industry
- Power system automation
- Water conservancy monitoring
- Distributed data acquisition

➤ Specification

Technical parameters	
Standard	Compliant with EIA RS-232, RS-485/RS-422 standards
Connector	Industrial terminal block
Baud Rate	300bps~115.2Kbps
LED Indicator	
Power indicator	POW(Red): Always light up when the power is connected properly
Serial port Indicator	≡(Green): Flashes when data is being sent or received ≡(Yellow): Flashes when data is being sent or received
Power	
Power Supply	External supply DC5V, external supply DC 9~30V
Interface	Industrial terminal block
Lightning protection	600W
Static protection	15KV
Optical Isolation	2500V
Physical Characteristics	
Shell	DIN rail shell
Dimension	126mm×34mm×72mm
Weight	130g
Transmission distance	
Serial port line	RS-232, 15m@9600bps
	RS-485/RS-422, 1.2km@9600bps
Working Environment	
Working Temp	-40~85°C
Storage Temp	-40~85°C
Relative Humidity	5%~95% (no-condensation)
Warranty	
Warranty	5 Years
Certification	CE, FCC, RoHS

➤ Application



➤ PIN setting




RS-232/RS-485 Input Side (Terminal Block):

PIN	A+	B-	GND1	TX	RX	DC9-30V	GND1
RS-232	-	-	Input/DC GND	TX	RX	DC+	Input/DC GND
RS-485	485+	485-	Input/DC GND	-	-	DC+	Input/DC GND

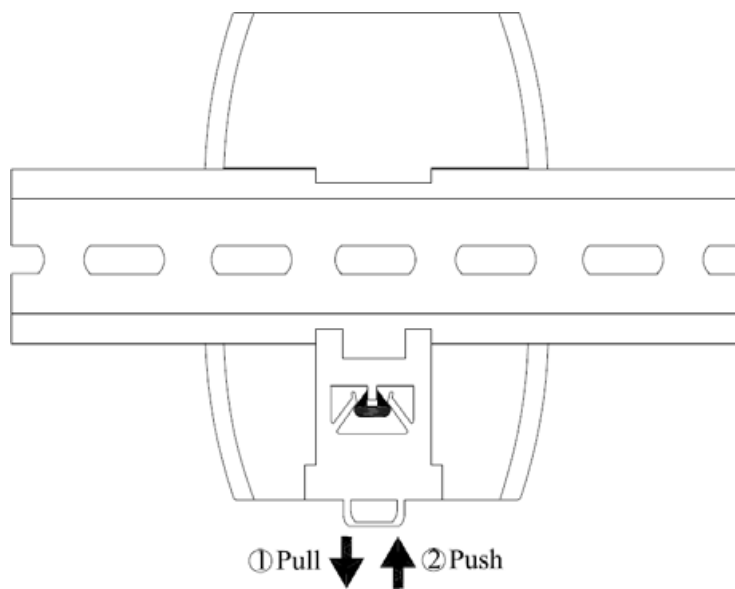
4-port RS-485 Output Side (Terminal Block)

PIN	A1+	B1-	GND2	A2+	B2-	A3+	B3-	GND2	A4+	B4-
Out put	1			2		3			4	
RS-485	485+	485-	Output GND	485+	485-		485+	Output GND	485+	485-

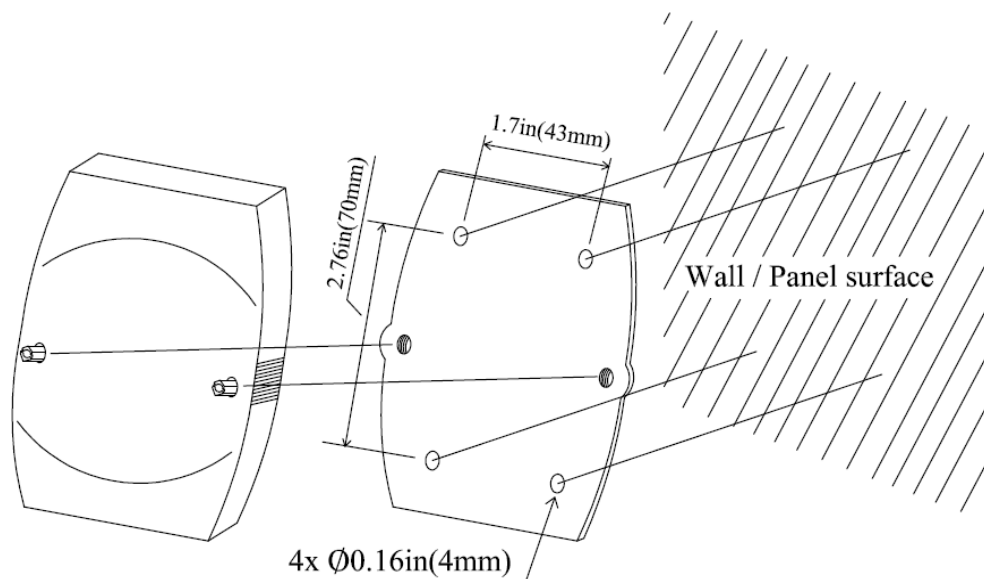
➤ LED Indications

- PWR**  **PWR Indicator** Steady: Power on. Off: Power off.
-  **DOWN Indicator**
Flashing: Receiving data from output (RS-485) ports.
-  **UP Indicator**
Flashing: Receiving data from input (RS-232 or RS-485) ports.

➤ Installation



DIN-RAIL MOUNTING



WALL/PANEL MOUNTING

➤ Ordering Information

Model NO.	Description
UP-232-P	RS232 Three Wire Signal Isolated Protector, 300~38.4Kbps, 2500V Opto-isolation
UP-485-R	Industrial RS-485/RS-422 Isolator/Repeater/Converter, 2500V Opto-isolation, DC9-30V
MW1040-I-R	Industrial RS-485/RS-422 Isolator/Repeater/Converter, 3000V Opto-isolation, DC9-36V
UP-232-H4	Industrial 1-port RS-232 to 4 ports RS-232 Isolation HUB, 2500V Opto-isolation, DC9-30V
UP-485-H4	Industrial 1-port RS-232/RS-485 to 4 ports RS-485 Isolation HUB, 2500V Opto-isolation, DC9-30V

➤ Packing List

- Industrial RS-232/RS-485 to 4 ports RS-485 Isolation HUB *1
- User manual * 1
- Certificate of quality * 1
- Warranty card * 1