



4-port 10/100M Base-T(X) +2-port Gigabit SFP + 1-port RS232+ 3-port RS485

➤ Features

- Support 4-port 10/100M Base-T(X) +2-port Gigabit SFP + 1-port RS232+ 3-port RS485;
- Conforms to IEEE802.3/802.3u/802.3ab/802.3x standard, store and forward switching mode;
- Support broadcast storm suppression function;
- Support port mirroring for online debugging and monitoring of network data status;
- Support QoS, IGMP, 802.1Q VLAN management function;
- Support unicast / multicast MAC address management;
- Support static IGMP multicast filtering;
- Support Web, CLI and SNMP three management modes;
- Support RSTP and MW-Ring, for Ethernet redundancy, ring network self-healing time < 20ms;
- Support three working modes of TCP server, TCP client and UDP;
- Support relay alarm output for power supply, port and ring network status alarm;
- Adopt with high strength IP40 housing and industrial EMC design;
- Support redundant wide voltage 12-48V DC power input, full load power consumption less than 11W;
- Support DIN-Rail Mounting or Wall Mounting installation;
- Working temperature range:-40~85°C;
- Warranty:5years



➤ Introduction

IES308-2GS-404 is a 8-Port Serial Port Combo Managed Industrial Ethernet Switch which support 4-port 10/100M Base-T(X) +2-port Gigabit SFP + 1-port RS232+ 3-port RS485, is specially designed to meet the needs of flexible industrial applications, and provides a cost-effective Ethernet solution. Provides powerful management function that can be managed through a web browser, command line (CLI), and SNMP. Support a wide range of redundant power input (12-48V DC) to increase the reliability of the communication network.

IES308-2GS-404 can transmit the serial port data through Ethernet network, and the optical and electric combination can flexibly carry out according to the requirements of the service port. Base on the needs of industrial installation, DIN35 rail or wall mounting two installation modes provided. The product adopt with fan free, low power consumption, industrial grade design, - 40 ~ 85°C working temperature range, which can meet the requirements of various industrial sites and provide convenient Ethernet communication solutions.

➤ Application Industries

- Industrial Automation
- Intelligent transportation supervisory system (ITS)
- High-speed Way supervisory/Tele-Communication System
- Long-distance broadcast television transmission system
- Security Surveillance

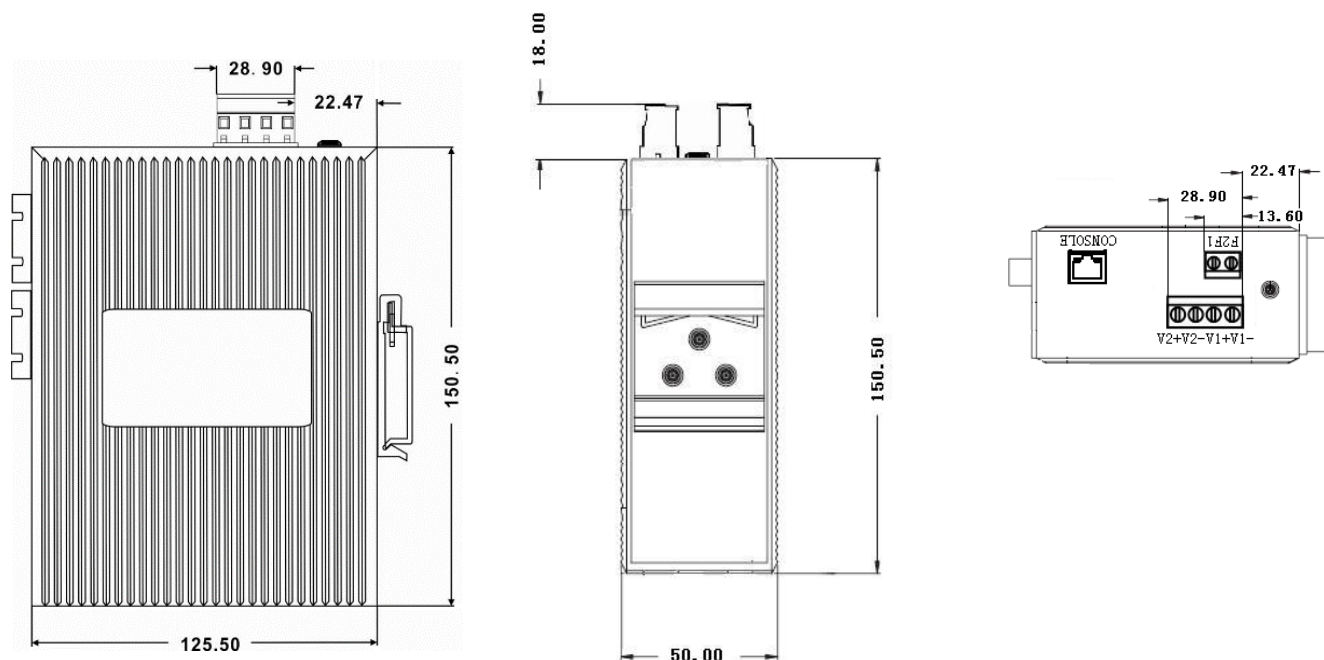
- New Energy and Utilities
- Electric Power Industry
- Rail transportation industry
- Oil&Gas
- Smart City

➤ Specification

Interface	
RJ45 port	10/100Base-T(X)Rate self detection, auto Full/Half Duplex , MDI/MDI-X self-adaption
100M optical interface	100BASE-FX full Duplex (default SC interface, FC/ST optional), max transmission up to 120 km
Serial port	RS-232 speed is 110-115.2kbps, support RXD, TXD, GND three wire working modes
	RS-422 supports RX -, RX +, TX -, TX + full duplex working modes
	RS-485 supports A,B half duplex working mode; RS-422 / 485 communication speed support 110-115.2kbps optional. The instantaneous isolation voltage is 5000V, and the continuous isolation voltage is 1000V;
SFP slot	SFP 1000Base-X module (support SM/MM) or 1000Base-T module(Support twisted pair transmission)
Console port	RS-232(RJ45 connector)
Alarm output	1 relay output, current load capacity DC24V/1A
Power input	Dual power inputs, with 4 cores pluggable 7.62mm spacing standard industrial terminal
Exchange Property	
10M forwarding speed	14881pps
100M forwarding speed	148810pps
1000M forwarding speed	1488095pps
Transmission way	Store and forward
Switching bandwidth	5.6Gbps
Cache size	1Mbits
MAC address table	8K
Environment Limits	
Working Temp	-40~85°C
Storage Temp	-40~85°C
Relative Humidity	5%~95% (no-condensation)
Power Supply	
Power	Redundant wide range voltage 12~48V DC power input , typical working voltage 12V/24V/48V
	Full load power consumption less than 11W
	Built-in over current protection

Relay alarm output	alarm output of port failure, power failure and ring network failure
	Max. contact capability: 1A @24VDC, industrial terminal interface
Physical Characteristics	
Shell	Metal, IP40 protection, metal housing
Installation	Wall mounting or DIN rail mounting
Dimension	150.5mm*50mm*125.5mm (W*H*D)
Net weight	900g
Industry standard	
IEC61000-4-2	ESD: ± 6 KV Contact Discharge, ± 15 KV Air Discharge
IEC61000-4-3	RS: 10V/m (80-1000MHZ)
IEC61000-4-4	EFT: Power Cable $\pm 2/4$ KV, Data Cable ± 2 KV
IEC61000-4-5	Surge: Power Cable ± 4 KV CM/ ± 2 KV DM, Data Cable: ± 4 KV
IEC61000-4-6	Radio Frequency Conduction: 3V(10KHZ-150KHZ),10V(150KHZ-80MHZ)
IEC61000-4-8	Power Frequency Magnetic Field: 100A/M COUNT 1000A/M, 1S TO 3S
IEC61000-4-12/18	Oscillating Wave: 2.5KV CM, 1KV DM
IEC61000-4-10	Damped Oscillation: 30A/M
IEC61000-4-16	Common Mode Conduction: 30V COUNT 300V, 1S
IEC61000-6-2	General Industrial Standards
IEC61850-3	Transformer Substation
IEEE1613	Power Substation
EN50121-4	Rail Transit
Warranty	
Warranty	5 Years
Certification	CE, FCC, RoHS

➤ Dimension



➤ Ordering Information

Model NO.	Description
IES306-2F-403	4-port 10/100M Base-T(X)+2-port 100M FX+1*RS232+1*RS422*1*RS485, DC12-48V
IES306-2F-404	4-port 10/100M Base-T(X)+2-port 100M FX+1*RS232+3*RS485, DC12-48V
IES308-403	8-port 10/100M Base-T(X) +1*RS232+1*RS422*1*RS485, DC12-48V
IES308-404	8-port 10/100M Base-T(X) +1*RS232 +3*RS485, DC12-48V
IES308-2F-2GS-403	4-port 10/100M Base-T(X)+2-port 100M FX+2-port Gigabit SFP +1*RS232+1*RS422*1*RS485
IES308-2F-2GS-404	4-port 10/100M Base-T(X)+2-port 100M FX+2-port Gigabit SFP +1*RS232+3*RS485, DC12-48V
IES3010-2F-2GS-403	8-port 10/100M Base-T(X)+ 2-port Gigabit SFP +1*RS232+1*RS422*1*RS485, DC12-48V
IES3010-2F-2GS-404	8-port 10/100M Base-T(X)+ 2-port Gigabit SFP +1*RS232 +3*RS485, DC12-48V

➤ Packing List

- Industrial RS232/RS485 Switch *1
- User manual * 1
- Certificate of quality * 1
- Warranty card * 1